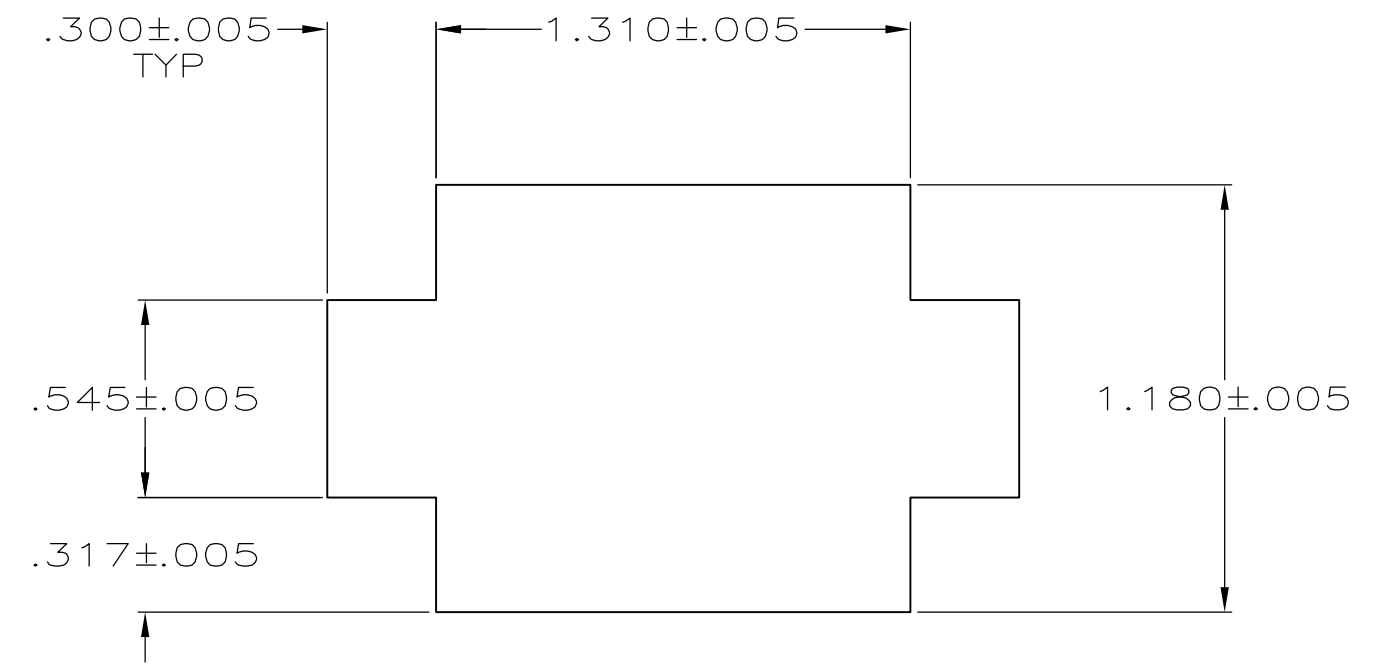
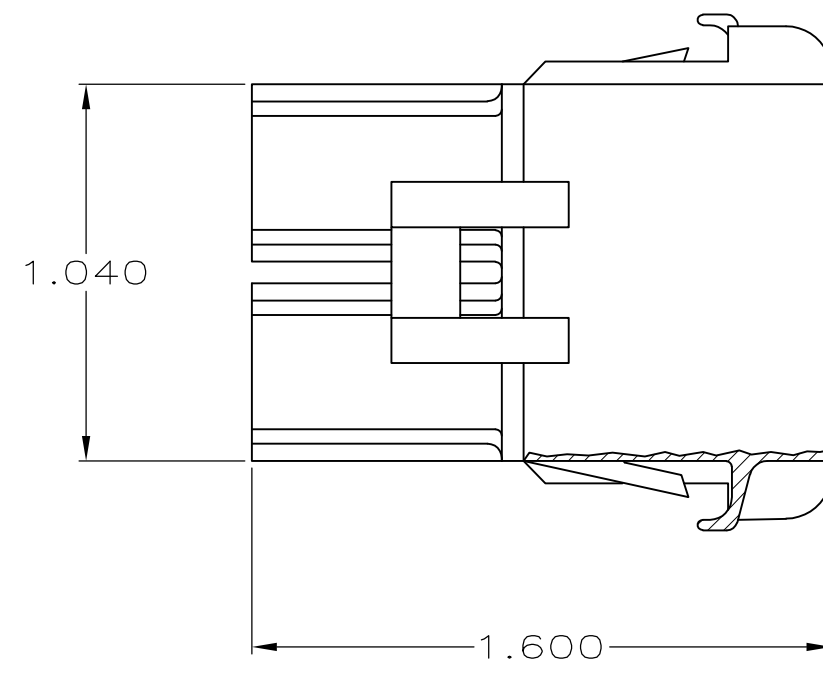
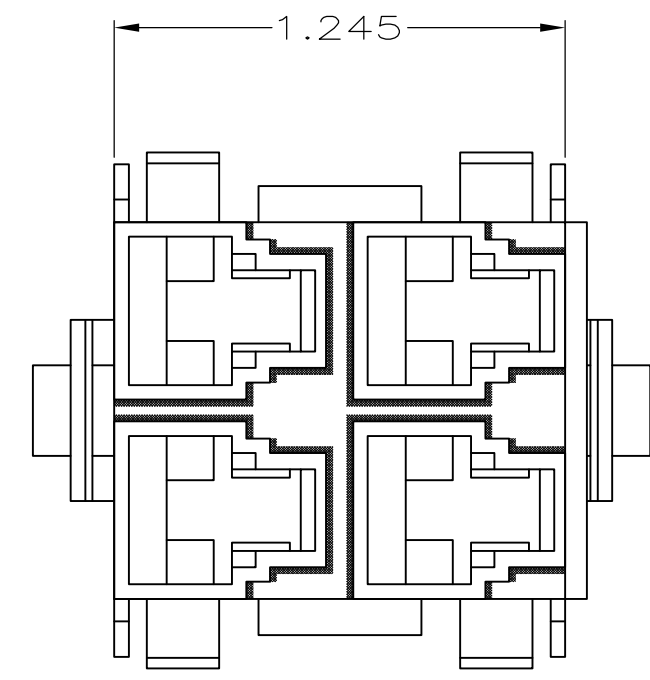
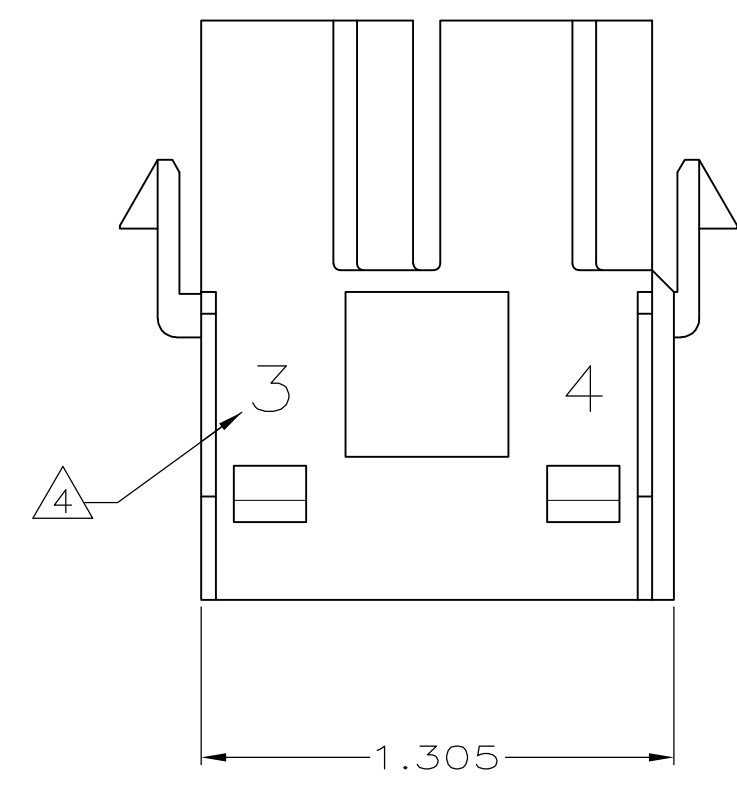


LOC	DIST	REVISIONS			
P	LTR	DESCRIPTION	DATE	OWN	APVD
FT	0	H1	REVISED PER ECO-11-004917	11MAR11	RK HMR



RECOMMENDED PANEL CUT-OUT
PANEL THICKNESS .040-.093



1. ACCEPTS TERMINALS 350650 & 350651.
 2. MATES WITH HOUSING 643267.
 3. PANEL MUST BE PUNCHED SO THAT THE HOUSING ENTERS THE PANEL IN THE SAME DIRECTION AS THE PUNCH.
- 4** CHARACTERS 3 & 4 MARKED ON NEAR SURFACE AS SHOWN; CHARACTERS 1 & 2 MARKED OPPOSITE SIDE.

OBSOLETE	4	641685-2
	-	641685-1
CIRCUIT IDENTIFICATION		PART NUMBER

THIS DRAWING IS A CONTROLLED DOCUMENT.		DWN S.WELDON 04 OCT 99	STE TE Connectivity	
DIMENSIONS: MM		CHK R.BUCHTER 05OCT99		
TOLERANCES UNLESS OTHERWISE SPECIFIED:		APVD R.BUCHTER 05OCT99	NAME PLUG, HIGH CURRENT 4 CIRCUIT	
0 PLC ± -		PRODUCT SPEC	SIZE CAGE CODE DRAWING NO RESTRICTED TO	
1 PLC ± -		APPLICATION SPEC	A2 00779 641685	
2 PLC ± -		WEIGHT -	SCALE 2:1 SHEET 1 OF 1 REV H1	
3 PLC ± .015		CUSTOMER DRAWING		
4 PLC ± - ± -				
ANGLES ± - ± -				
FINISH -				
MATERIAL NYLON, 94 V-0 RATED COLOR: BRICK RED				